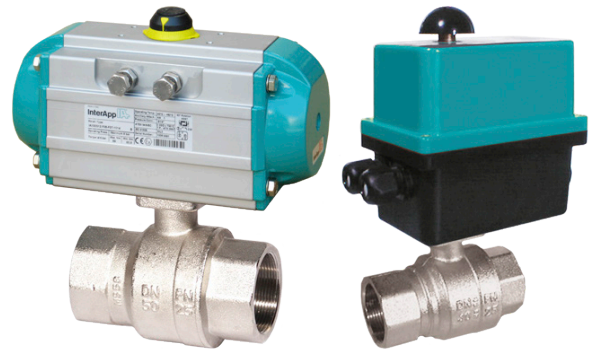


1021 - Ball valve, brass nickel plated, with top flange according to EN ISO5211

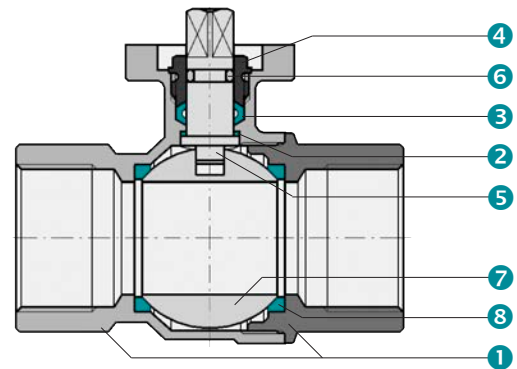
Product features

- Construction 2-piece body
- Size G $\frac{1}{2}$ " - 2" (DN15-50), with full bore
- Connections according to ISO 7/1 RP (DIN 2999), female G $\frac{1}{2}$ " - 2"
- Stem blow out proof with 3 seals
- Ball brass nickel plated

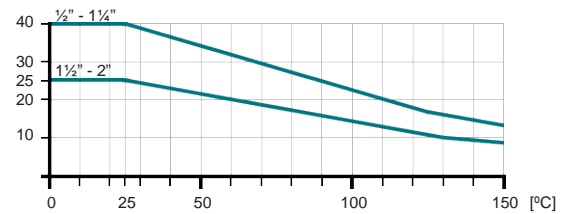


Construction

1	Body	Brass, nickel plated
2	Thrust washer	PTFE
3	Stem packing	PTFE
4	Gland nut	Brass, nickel plated
5	Stem	Brass, nickel plated
6	O-Ring	Viton
7	Ball	Brass, nickel plated
8	Ball seat	PTFE

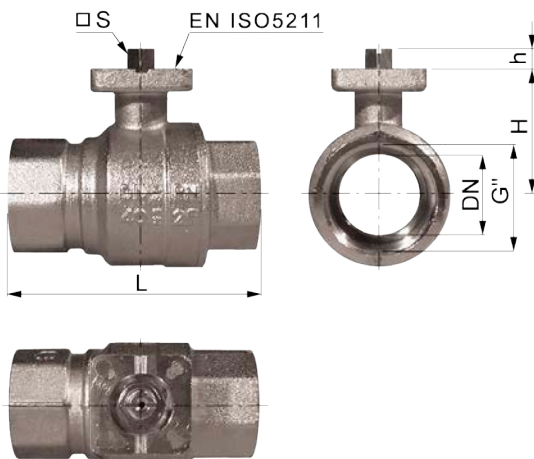


Pressure / temperature diagram



Dimensions

With bare shaft



	G"	DN	L	H	h	s	ISO	kv[m ³ /h]	[kg]
1021 012	1/2	15	75	38	9	9	F03	17	0,342
1021 034	3/4	20	80	40,5	9	9	F03	41	0,463
1021 100	1	25	90	44	9	9	F03+04	70	0,705
1021 114	1 1/4	32	110	55	12	11	F04+05	121	1,220
1021 112	1 1/2	40	120	61,5	12	11	F04+05	200	1,650
1021 200	2	50	140	73	16	14	F05	292	3,285

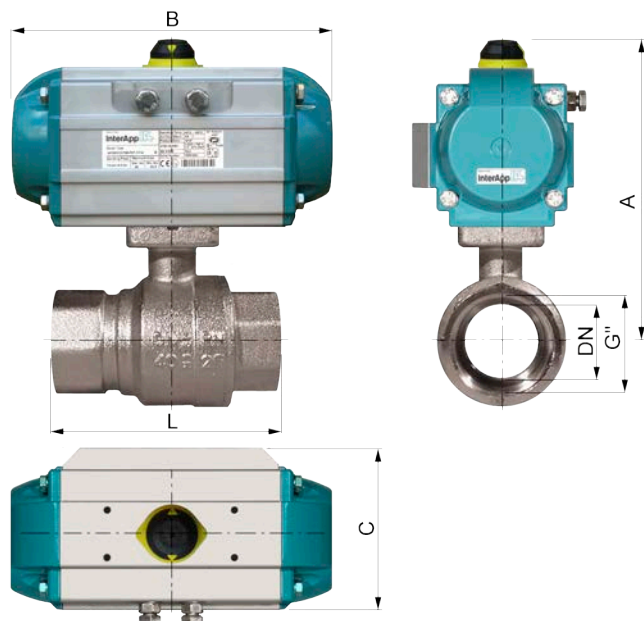


1021 - Ball valve, brass nickel plated, with top flange according to EN ISO5211

Dimensions

With pneumatic actuator

Selection of actuator for 6 bar air supply



Double acting actuator

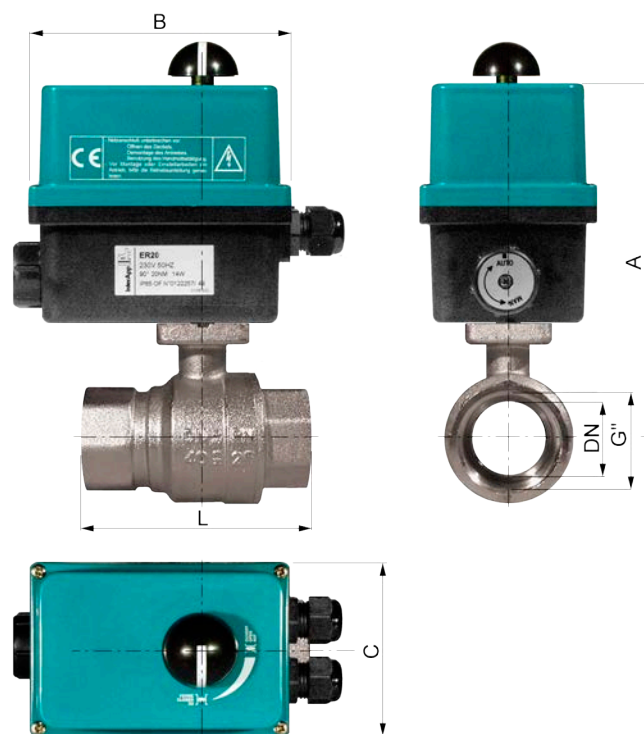
	G"	DN	L	A	B	C	[kg]
1021 012 + IAB0DA	½	15	75	103	115	45	0,79
1021 034 + IAB0DA	¾	20	80	106	115	45	0,91
1021 100 + IA050D	1	25	90	133	137	78,5	1,88
1021 114 + IA050D	1 ¼	32	110	144	137	78,5	2,40
1021 112 + IA050D	1 ½	40	120	150,5	137	78,5	3,03
1021 200 + IA100D	2	50	140	178	154	91,5	4,80

Single acting actuator

	G"	DN	L	A	B	C	[kg]
1021 012 + IA050S08	½	15	75	127	137	78,5	1,61
1021 034 + IA050S08	¾	20	80	129,5	137	78,5	1,73
1021 100 + IA050S10	1	25	90	133	137	78,5	2,00
1021 114 + IA100S10	1 ¼	32	110	160	154	91,5	3,15
1021 112 + IA100S10	1 ½	40	120	165,5	154	91,5	3,79
1021 200 + IA200S08	2	50	140	195	204	105	6,40

With electric actuator

230V50Hz, 1 phase, IP65



	G"	DN	L	A	B	C	[kg]
1021 012 + ER10	½	15	75	161	135	90	1,84
1021 034 + ER10	¾	20	80	164	135	90	1,96
1021 100 + ER20	1	25	90	167	135	90	2,23
1021 114 + ER20	1 ¼	32	110	178	135	90	2,75
1021 112 + ER35	1 ½	40	120	185	135	90	3,38
1021 200 + ER35	2	50	140	196	135	90	4,60

InterApp AG
 Grundstrasse 24
 CH-6343 Rotkreuz
 Phone +41 (0) 41 7982233
 Fax +41 (0) 41 7982234
 info@ch.interapp.net

InterApp Ges.m.b.H.
 Kolpingstrasse 19
 A-1230 Wien
 Phone +43 (0) 1 6162371-0
 Fax +43 (0) 1 6162371-99
 info@at.interapp.net

InterApp Italiana
 Via Gramsci 29
 I-20016 Pero (MI)
 Phone +39 02 339371
 Fax +39 02 33937200
 info@it.interapp.net

InterApp GmbH
 Schillerstrasse 50
 D-42489 Wülfrath
 Phone +49(2058) 8909250
 Fax +49(2058) 8909255
 info@de.interapp.net

AVK Válvulas S.A.
InterApp Válvulas S.A.
 Polígono Industrial Francolí, parcela 27
 E-46006 Tarragona
 Phone +34 977 543 008
 Fax +34 977 541 622
 avk@avkvalvulas.com

The technical data are noncommittal and do not assure you of any properties. Please refer to our general sales conditions. Modifications without notice.

© 2017 InterApp AG, all rights reserved