

S1070 - 3-way ball valve (brass, nickel plated) 1/4" - 2"

Description

3-way brass ball valve, full bore, top flange for mounting of actuator suitable for applications with hot and cold water, compressed air, oils, hydrocarbons and non-corrosive fluids. For any special use see the table of chemical resistance.

Product features

- Type

S1070	T-bore	free shaft
S1071	L-bore	free shaft
S1073	T-bore	with lever
S1074	L-bore	with lever
 - Connection

threaded ends	Rp 1/4" - 2"
	UNI EN 10226-1 (DIN ISO 7/1)
 - Max. working pressure

40 bar	1/4"-1 1/4"
25 bar	1 1/2" - 2"
 - Temperature range

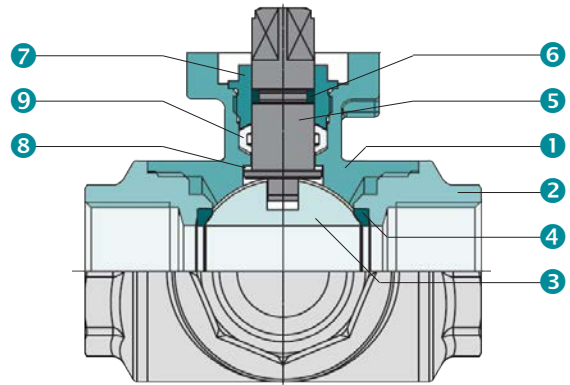
0°C ÷ 150°C

- CE** The ball valves S1070 meet the safety requirements of the pressure Equipments Directive 97/23/EC (PED) appendix 1 for fluids of the groups 1 and 2.



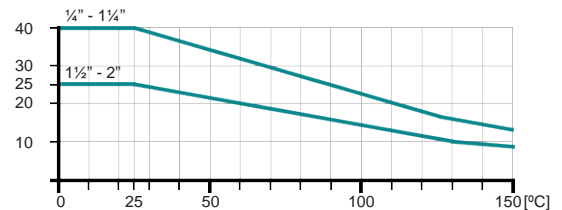
Construction

1	Body	CW617N, UNI EN 12165
2	End adapter	CW617N, UNI EN 12165
3	Ball	CW614N, UNI EN 12164
4	Ball gasket	PTFE
5	Stem - blow out proof	CW614N, UNI EN 12164
6	O-Ring	Elastomer
7	Gland	CW614N, UNI EN 12164
8	Thrust washer	PTFE
9	Stem gasket	PTFE



Pressure / temperature diagram

For temperatures >100°C a mounting bracket with adapter is mounted between ball valve and actuator.



Ball positions

The valve has four PTFE gaskets on the ball. The flow inlet can be indifferently connected to each one of the three ends. So this valve can be used as shut-off valve and to divert the flow. Ball position can be identified by referring to the notches shown in the stem. The lever can be positioned in 4 different sectors.	S1070 S1073				
	S1071 S1074				



S1070 - 3-way ball valve (brass, nickel plated) 1/4" - 2"

Flow values and torques

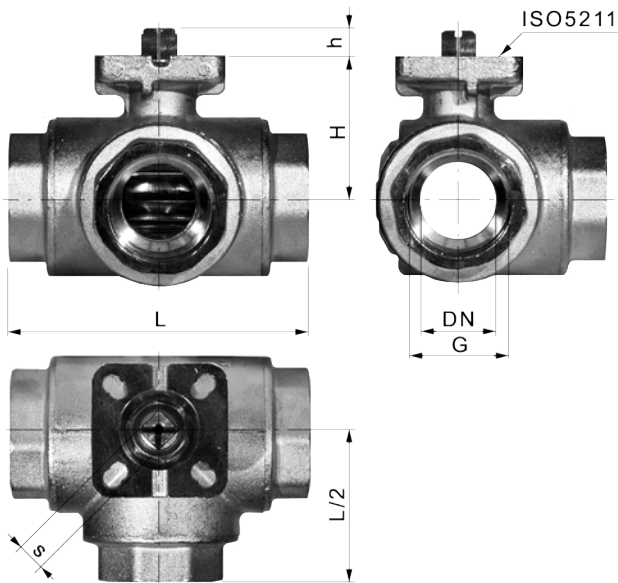
* Torque values without pressure.

	1/4	3/8	1/2	3/4	1	1 1/4	1 1/2	2
kv [m3/h]	5,9	9,4	17	41	70	121	200	292
Md [Nm] *	5	5	5	6,5	9,5	15	25	30

Dimensions

S1070: T-bore, free shaft

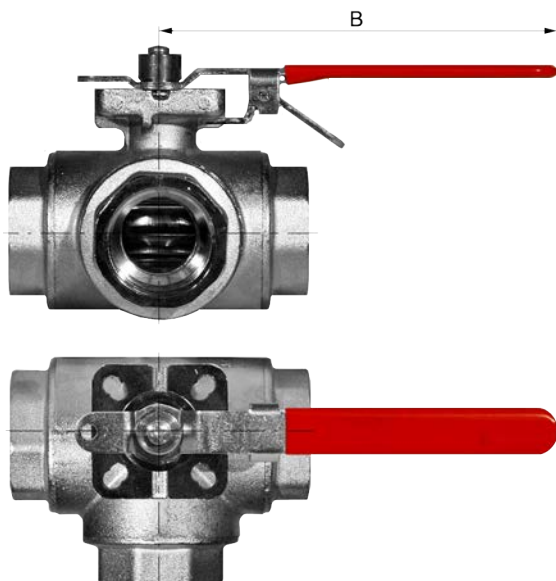
S1071: L-bore, free shaft



(T)	(L)	G"	DN	L	H	h	S	ISO
S1070 014	S1071 014	1/4	8	64,5	38	9	9	F03
S1070 038	S1071 038	3/8	10	64,5	38	9	9	F03
S1070 012	S1071 012	1/2	15	64,5	38	9	9	F03
S1070 034	S1071 034	3/4	20	76	42	9	9	F03
S1070 100	S1071 100	1	25	97	46,5	9	9	F03+04
S1070 114	S1071 114	1 1/4	32	118	61,5	11	11	F04+05
S1070 112	S1071 112	1 1/2	40	135	63,5	11	11	F04+05
S1070 200	S1071 200	2	50	157	74	14	14	F05

S1073: T-bore, with lever

S1074: L-bore, with lever



(T)	(L)	G"	DN	B
S1073 014	S1074 014	1/4	8	135
S1073 038	S1074 038	3/8	10	135
S1073 012	S1074 012	1/2	15	135
S1073 034	S1074 034	3/4	20	135
S1073 100	S1074 100	1	25	135
S1073 114	S1074 114	1 1/4	32	156,5
S1073 112	S1074 112	1 1/2	40	156,5
S1073 200	S1074 200	2	50	192

InterApp AG
 Grundstrasse 24
 CH-6343 Rotkreuz
 Phone +41 (0) 41 7982233
 Fax +41 (0) 41 7982234
 info@ch.interapp.net

InterApp Ges.m.b.H.
 Kolpingstrasse 19
 A-1230 Wien
 Phone +43 (0) 1 6162371-0
 Fax +43 (0) 1 6162371-99
 info@at.interapp.net

InterApp Italiana
 Via Gramsci 29
 I-20016 Pero (MI)
 Phone +39 02 339371
 Fax +39 02 33937200
 info@it.interapp.net

InterApp GmbH
 Schillerstrasse 50
 D-42489 Wülfrath
 Phone +49(2058) 8909250
 Fax +49(2058) 8909255
 info@de.interapp.net

AVK Válvulas S.A.
InterApp Válvulas S.A.
 Polígono Industrial Francolí, parcela 27
 E-46006 Tarragona
 Phone +34 977 543 008
 Fax +34 977 541 622
 avk@avkvalvulas.com

The technical data are noncommittal and do not assure you of any properties. Please refer to our general sales conditions. Modifications without notice.

© 2017 InterApp AG, all rights reserved