

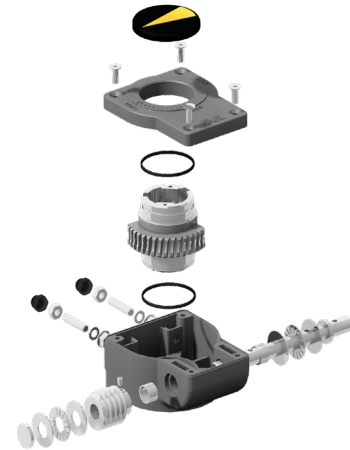
# GB232 - Gearbox, body aluminium - Imperial

## Description

Quarter turn gearbox handoperated with cast aluminium housing Polyurethane coated

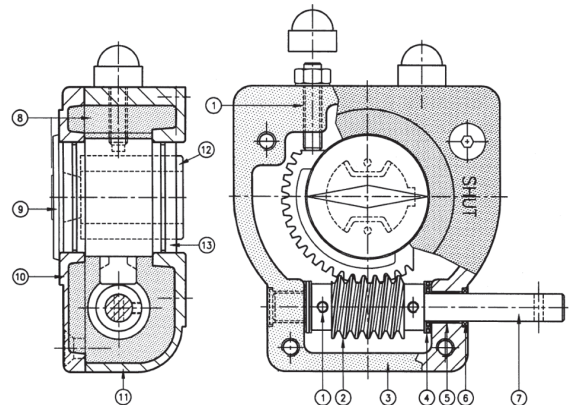
## Product features

- Valve connection            Mounting face for valves according to EN ISO 5211
- Torque                            125 - 1500 Nm (1100 - 13200 lbf. inch)
- Temperature range            -20°C ÷ +120°C (-4°F ÷ +250°F)
- Stroke                            0-90° (±5° adjustable)
- Lubrication                    Factory lubricated for the life of actuator under normal working conditions
- Protection class                IP65



## Construction

1	Set screw	Steel 8.8
2	Worm	Steel C45
3	Gasket	NBR
4	Needle bearing	
5	Plain bearing	Permaglide
6	Seal ring	Nitrile
7	Shaft	Stainless steel
8	Grease	Multipurpose EP2
9	Position indicator	Polypropylene
10	Coverplate	Aluminium AL231
11	Body	Aluminium AL231
12	Insert	Sintered steel
13	Quadrant	GGG40



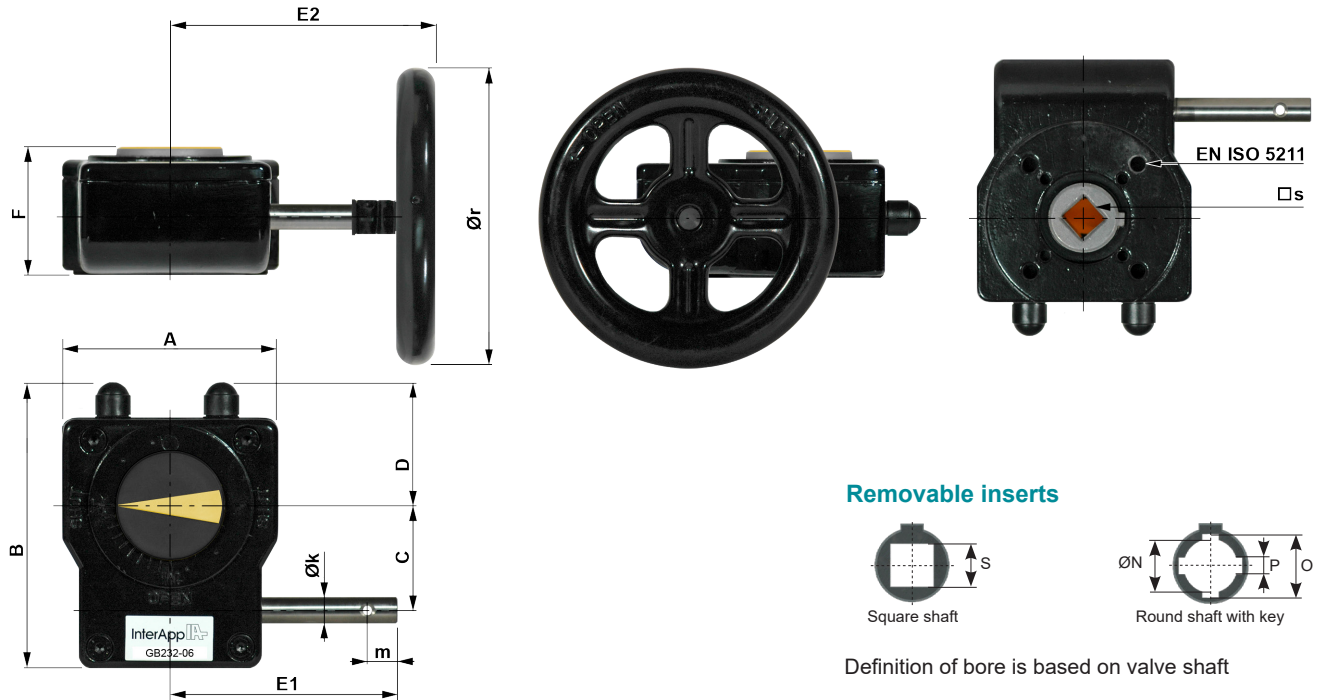
## Type code

<b>GB232-05</b>	<b>F05-F07</b>	<b>14</b>	<b>100</b>
<b>1</b>	<b>2</b>	<b>3</b>	<b>4</b>

<b>1 Actuator size</b>	<b>GB232-05</b>	125 Nm (1100 lbf. inch)
	<b>GB232-06</b>	250 Nm (2200 lbf. inch)
	<b>GB232-08</b>	500 Nm (4400 lbf. inch)
	<b>GB232-13</b>	1000 Nm (8800 lbf. inch)
	<b>GB232-14</b>	1500 Nm (13200 lbf. inch)
<b>2 Mounting face for valve</b>	<b>F05 - F14</b>	according to EN ISO5211
<b>3 Shaft connection</b>	<b>[mm]</b>	Dimension of shaft connection
<b>4 Handwheel diameter</b>	<b>[mm]</b>	



## Dimensions



	EN ISO5211	□s / ØN	Ør	Md max	A	B	C	D	E1	E2	F	Øk	m	n*	[lb]
GB232-05	F05-F07	0,43 / 0,55	4	1100 lbf. inch	3,15	4,49	1,67	1,89	4,13	4,76	2,11	0,47	0,55	0,4	1,8
			6							5,08					
GB232-06	F05-F07	0,55 / 0,67	6	2200 lbf. inch	3,15	4,49	1,67	1,89	6,10	7,05	2,32	0,47	0,55	0,4	2,0
GB232-08	F07-F10	0,67 / 0,87	10	4400 lbf. inch	3,94	5,16	1,98	2,21	6,69	8,23	2,64	0,47	0,55	0,36	3,43
GB232-13	F10-F12 / F14	0,87 / 1,06	12	6336 lbf. inch	6,89	8,24	3,15	3,28	11,02	14,21	3,33	0,74	0,94	0,4	11,9
			16	8448 lbf. inch						14,80					
			20	8800 lbf. inch						15,59					
GB232-14	F10-F12 / F14	0,87 / 1,06 / Ø1,77	20	10560 lbf. inch	6,89	8,24	3,15	3,28	11,02	15,59	3,33	0,74	0,94	0,4	11,9
			24	12672 lbf. inch						15,59					
			28	13200 lbf. inch						15,59					

\* n = Handwheel turns ON/OFF

### Maintenance:

The actuators are factory lubricated for the life of the actuator under normal working conditions. The standard lubricant is suitable for use from - 20°C to + 120°C (-4°F to +250°F).

### Storage:

The actuator should always be stored free from dust and humidity.