

Description

Quarter turn gearbox handoperated with cast aluminium housing Polyurethane coated

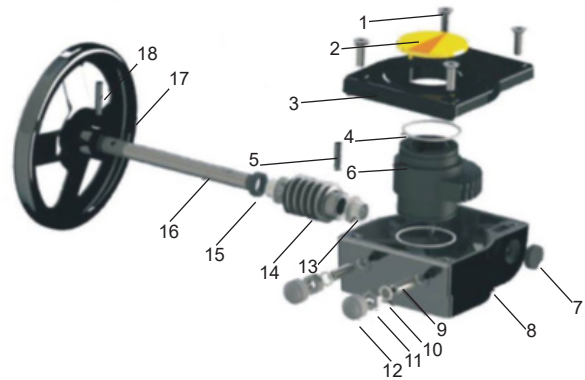
Product features

- Valve connection Mounting face for valves according to EN ISO 5211
- Torque 180 - 1500 Nm
- Temperature range -25°C + +80°C
- Stroke 0-90° (±5° adjustable)
- Lubrication Factory lubricated for the life of actuator under normal working conditions
- Protection class IP65



Construction

1	Cover screw	Stainless steel AISI 304
2	Position indicator	ABS resin
3	Cover	Aluminium ADC12 polyester coated
4	O-ring seal	Nitrile
5	Pin	65Mn steel
6	Worm gear	Ductile iron
7	Plug seal	Nitrile
8	Body	Aluminium ADC12 polyester coated
9	Set screw	Stainless steel AISI 304
10	Set screw washer	Stainless steel AISI 304
11	Set screw nut	Galvanized steel
12	Set screw cover	Nitrile
13	Bearing	Powder metallurgy
14	Worm	Steel C45 zinc plated
15	Shaft seal	Nitrile
16	Shaft seal	Stainless steel 304
17	Handwheel	Carbon steel coated
18	Pin	65Mn steel



Type code

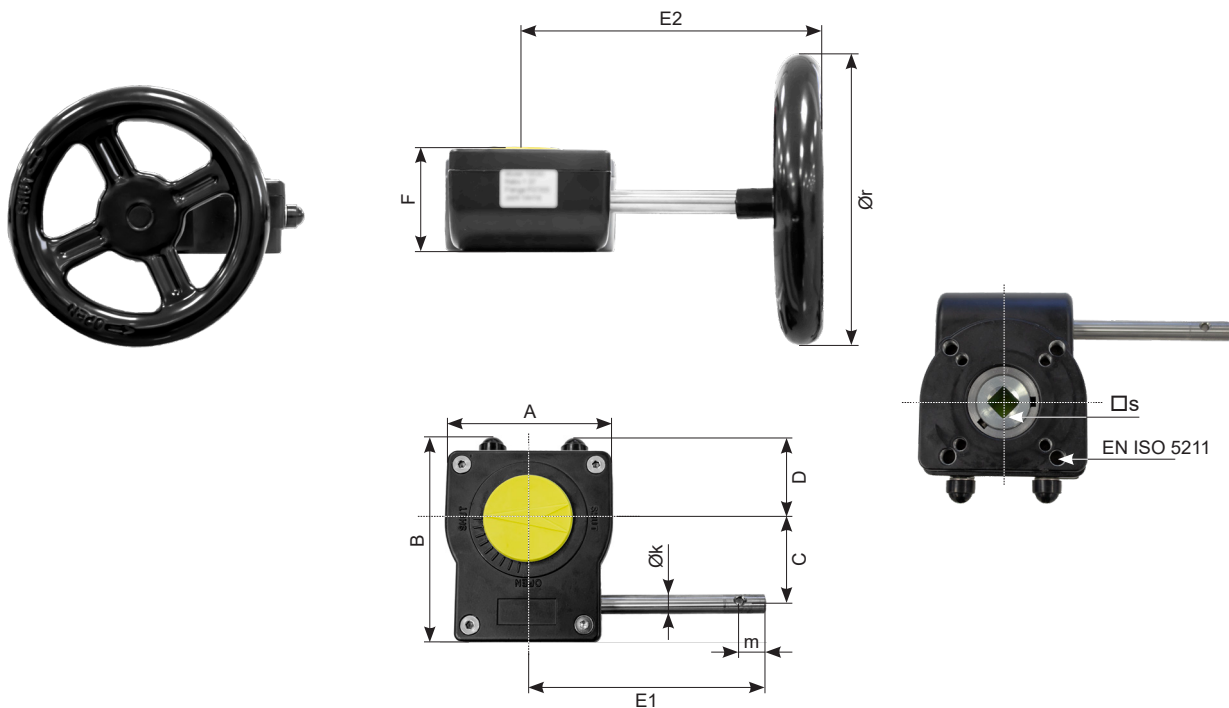
GBAB-01 . F05-F07 11 . 140

① ② ③ ④

① Actuator size	GBAB-01	180 Nm
	GBAB-02	300 Nm
	GBAB-03	540 Nm
	GBAB-04	800 Nm
	GBAB-05	1500 Nm
② Mounting face for valve	F05 - F12	according to EN ISO 5211
③ Shaft connection	[mm]	Dimension of shaft connection
④ Handwheel diameter	[mm]	



Dimensions



	EN ISO 5211	□s	Ør	Md max	A	B	C	D	E1	E2	F	Øk	m	n*	[kg]
GBAB-01	F05-07	8/11/14/17	140	180 Nm	80	115	42,5	51	150	165	53	12	16	11	1,2
GBAB-02	F07	17	200	300 Nm	100	120	50	58	141	170	59	12	16	11	2
GBAB-03	F07-10	22	250	540 Nm	120	130	60	65	195	205	59	16	31	10	2,5
GBAB-04	F10-12	22	300	800 Nm	140	155	60	80	200	230	75	16	31	12	4,3
GBAB-05	F12	22 / 27	400	1500 Nm	185	185	75	100	230	250	98	20	34	12	6,1

*n = Handwheel turns ON/OFF

Maintenance:

The actuators are factory lubricated for the life of the actuator under normal working conditions. The standard lubricant is suitable for use from -25°C to +80°C.

Storage:

The actuator should always be stored free from dust and humidity.