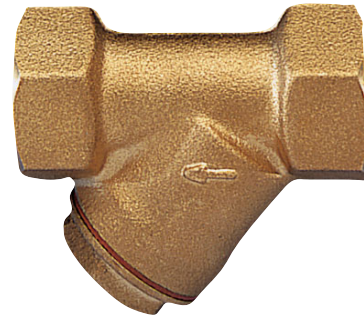


Description

Y-strainer H400 with a brass water filter. In sandblasted brass with stainless steel filter.

Product features

- Face to face dimension according to ISO 5752/20, EN 558/1-20
 - Max. working pressure 16 bar
 - Rating Threaded connection ISO 228/1
 - Temperature range -20°C ÷ 135°C according to materials and working conditions
- meet the safety requirements of the pressure Equipments Directive 97/23/EC (PED) appendix 1 for fluids of the groups 1 and 2

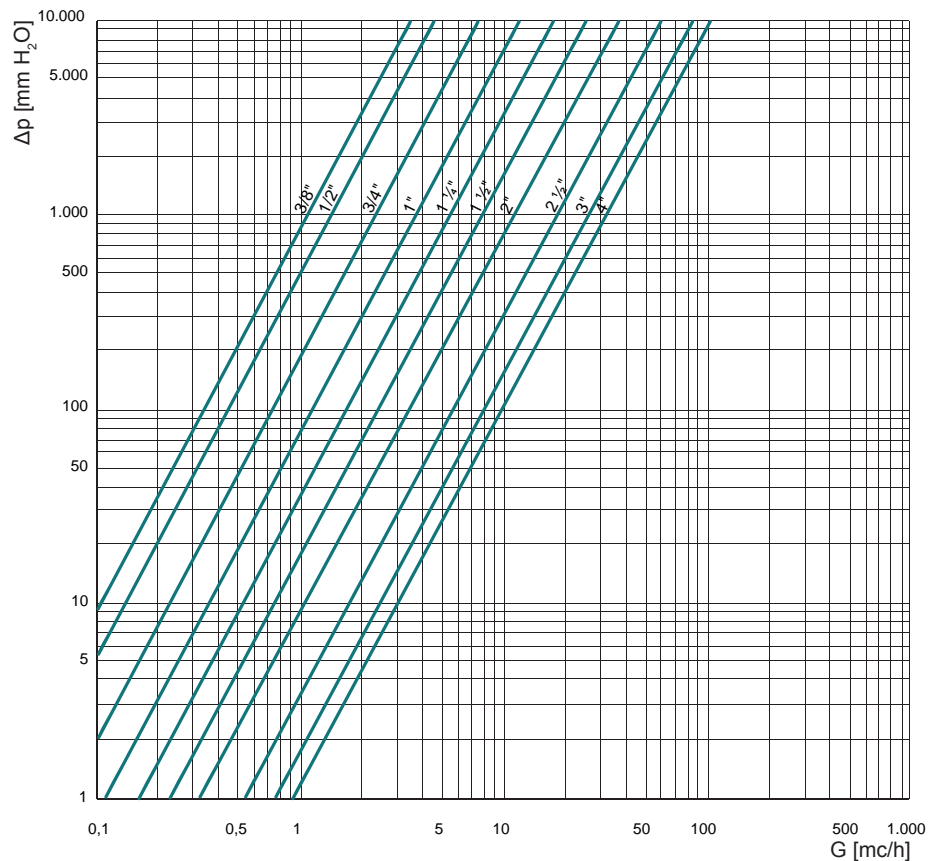


H400

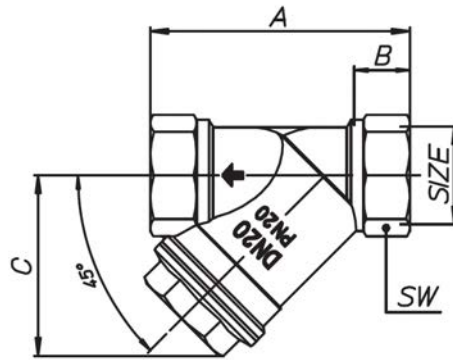
Pressure drop diagram

R"	3/8	1/2	3/4	1	1 ¼	1 ½	2	2 ½	3	4
Kv	3,4	4,6	7,3	12,5	17	24,5	36	60	80	100

$$\Delta p \text{ [mm H}_2\text{O]} = 10.000 \cdot \left(\frac{G \text{ [mc/h]}}{Kv} \right)^2$$



Dimensions



Code	DN	Rp"	A	B	C	SW	Perforation	empty/full	kg
H400038	10	3/8	55	10	40	21	0.4	38%	0.14
H400012	15	1/2	58	12	40	25	0.4	38%	0.15
H400034	20	3/4	70	13	50	31	0.4	38%	0.24
H400100	25	1	87	17	60	38	0.4	38%	0.45
H400114	32	1 1/4	96	20	68	48	0.5	48%	0.61
H400112	40	1 1/2	106	21	75	55	0.5	48%	0.83
H400200	50	2	126	22	90	68	0.5	48%	1.33