

B13 - Flanged heavy duty ball valve 1/2" - 6"

Description

Ball valve ANSI 150 with flanged ends and two-piece body, full bore. Mounting flange for actuators according to ISO 5211. Antistatic and fire safe execution.

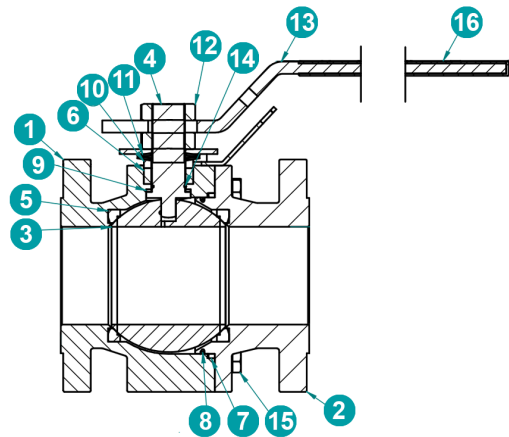
Product features

- Flange connection 1/2" - 6" flanges ANSI/ASME B16.5
 - Face to face dimension 1/2" - 6" ANSI/ASME B16.10
 - Design According to API 6D-1745
 - Testing According to API 598 ,API 6D
 - Max. working pressure 40 bar
 - Temperature range -50°C ÷ 200°C, versions for lower or higher temperatures on request
 - Fire Safe execution According to BS 6755-2 and ISO 10479
 - Fugitive emission According to ISO 15848-1
- CE**
- The ball valves B13 meet the safety requirements of the pressure Equipments Directive 2014/68/EU (PED) appendix 1 for fluids of the groups 1 and 2.
- ATEX Certified according to ATEX 2014/34/EU

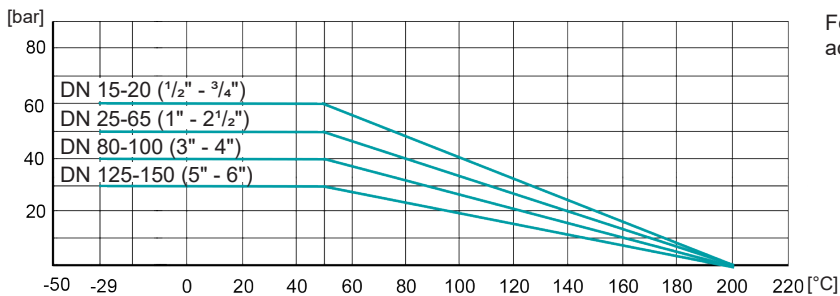


Construction

1	Two-piece body	AISI 316 / A105N
2	Bonnet	AISI 316 / A105N
3	Ball	AISI 316L
4	Stem	AISI 316L
5	Ball seat	PTFE
6	Steam seal	PTFE
7	Body seal	PTFE
8	O-ring	FVMQ
9	Washer	PTFE
10	Gland ring	AISI 316
11	Conical spring washer	AISI 316
12	Nut	AISI 316
13	Handle	AISI 316
14	O-ring	FVMQ
15	Bolt DIN 933	A4-70
16	Handle cover	PVC



Pressure / temperature diagram



For temperatures >100°C a mounting bracket with adapter is mounted between ball valve and actuator.



B13 - Flanged heavy duty ball valve 1/2" - 6"

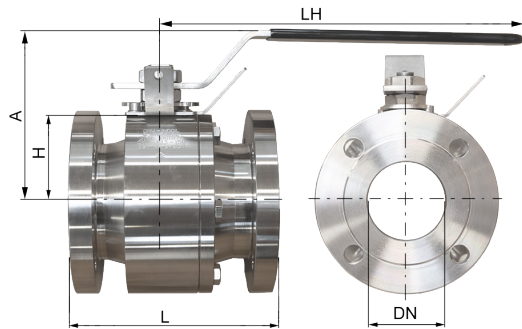
Type code

B13	22	F	A	. 025	. SS	T	-	..
1	2	3	4	5	6	7		8

1 Type	B13	Ball valve flanged type with ISO top flange	
2 Construction	22	2/2 ways, two-piece body	
3 Bore	F	Full bore	
4 Face to face dimension	A	ANSI B16.10	
5 Size	015-150	DN 15-150 (1/2" - 6")	
6 Materials body / ball	C	Body carbon steel	ASTM A150N
	S	Body stainless steel	AISI 316
	S	Ball stainless steel	AISI 316L
7 Materials seat ring	T	Seat ring	PTFE
8 Special executions	+MP	Bracket + coupling (AISI 316)	

Other materials on request

Dimensions



B1322FA face to face dim. DN 15-150 ANSI B16.10

	DN	Size	L	A	H	LH	F	ØG	ISO 5211	Torques [Nm] ANSI 150	[kg]
B1322FA.015.SST	15	1/2"	108	87	35	160	8	12	F03	7	3,9
B1322FA.020.SST	20	3/4"	117	94	41	160	8	12	F03	12	4,2
B1322FA.025.SST	25	1"	127	106	50	175	10	16	F04	19	5,8
B1322FA.032.SST	32	1 1/4"	140	116	54	210	10	16	F04	21	8,3
B1322FA.040.SST	40	1 1/2"	165	120	59	210	10	16	F05	38	10,8
B1322FA.050.SST	50	2"	178	147	72	275	14	22	F05	49	15,1
B1322FA.065.SST	65	2 1/2"	190	162	86	275	14	22	F07	90	23,5
B1322FA.080.SST	80	3"	203	178	89	370	19	27	F07	110	29
B1322FA.100.SST	100	4"	229	192	105	370	19	27	F10	164	41,6
B1322FA.150.SST	150	6"	394	287	158	700	30	42	F12	405	114



B1322FA with ISO 5211 bracket

	DN	Size	X _{min}	Y	□Z	ISO 5211
B1322FA.015.SST	15	1/2"	10	40	9x9	F03
B1322FA.020.SST	20	3/4"	10	40	9x9	F03
B1322FA.025.SST	25	1"	12	60	11x11	F04
B1322FA.032.SST	32	1 1/4"	12	60	11x11	F04
B1322FA.040.SST	40	1 1/2"	16	60	14x14	F05
B1322FA.050.SST	50	2"	16	60	14x14	F05
B1322FA.065.SST	65	2 1/2"	19	60	17x17	F07
B1322FA.080.SST	80	3"	19	60	17x17	F07
B1322FA.100.SST	100	4"	24	60	22x22	F10
B1322FA.150.SST	150	6"	29	80	27x27	F12

The technical data are noncommittal and do not assure you of any properties. Please refer to our general sales conditions. Modifications without notice.

© 2024 InterApp AG, all rights reserved