


## Description

High performance double eccentric butterfly valve with PTFE sealing for working pressures up to 20 bar (ANSI Class 150).

With sealing options:

- TG with PTFE+25% glass fibre seat (RPTFE)
- TM with modified PTFE

## Product features

- Body construction EO1 Wafer, EO3 Lug
- Face to face dimension according to ISO 5752/20, EN558-1/5, BS 5155/4
- Top flange according to EN ISO 5211
- Rating PN10/16, ANSI cl. 150
- Tightness Gas tightness according to EN 12266-1/P12 leakage rate A / API 598
- ATEX Execution according to ATEX 2014/34/EU,  II 2 GD c Tx



The butterfly valves ELARA meet the safety requirements of the pressure Equipment Directive 2014/68/UE (PED) appendix 1 for fluids of the groups 1 and 2

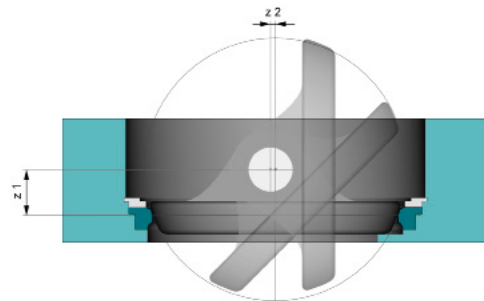


### Double eccentric function:

The ELARA is a double eccentric butterfly valve. The double eccentricity results from:

- Offset of the disc to the shaft (z 1) and
- Offset of the disc centre to the shaft (z 2)

Consequently, when opening, the disc is immediately disengaged from the seat and thus, the friction and the torque remain very low.



## Torque at requested working pressure [Nm]

DN	50	65	80	100	125	150	200	250	300	350	400	450	500	600
10 bar														
16 bar	39	44	48	68	153	177	273	603	780	1274	1729	3232	5103	6110
20 bar														

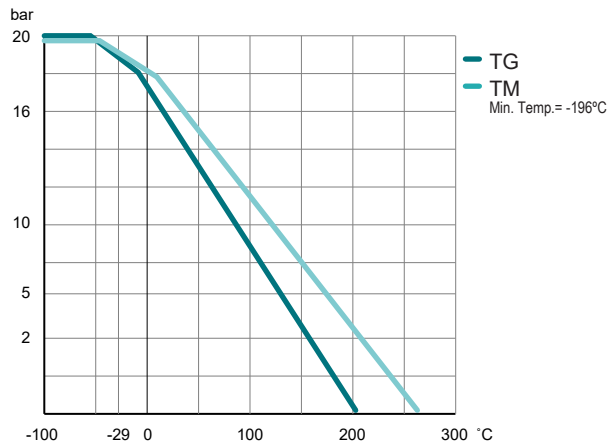
## Flow values kv [m³/h]

DN	50	65	80	100	125	150	200	250	300	350	400	450	500	600
Kv	50	78	165	400	650	1050	2200	3300	5100	5800	8000	10500	14000	21600

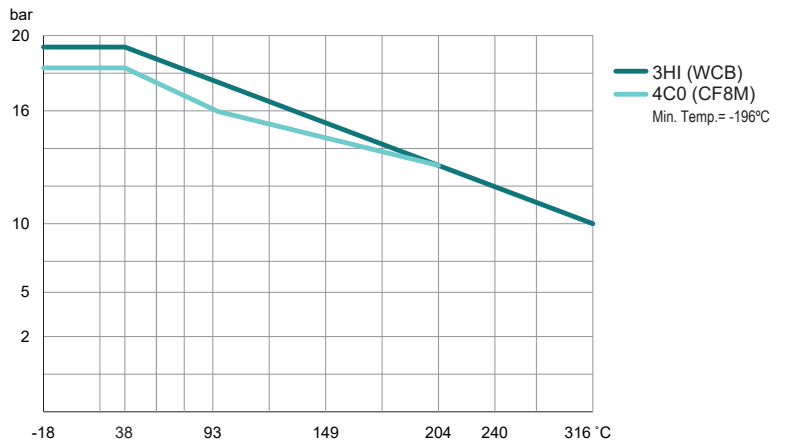


## Pressure / Temperature

**Seat**



**Body**



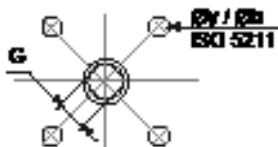
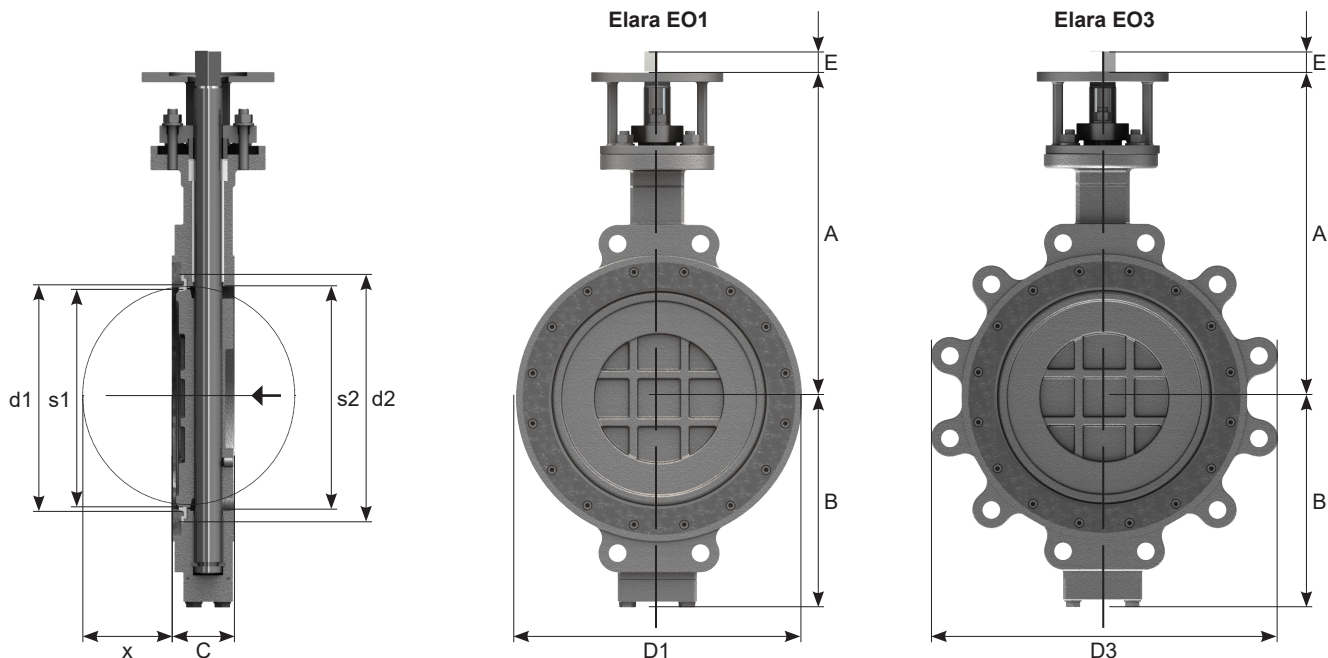
## Type code

EO1 0150 . 4 A - 3HI . 4L . 4C0 . TG - FF  
 ① ② ③ ④ ⑤ ⑥ ⑦ ⑧ ⑨

①	Body type	EO1	Wafer	DN 50-600
		EO3	Lug	DN 50-600
②	Nominal diameter	050-600	mm	
③	Maximum working pressure	4	20 bar	DN 50-600
④	Flange connection	2	PN 10	DN 200-250-400-500
		3	PN 16/10	DN 100-125-150
			PN 16	DN 250-300-400-500
		6	PN 10/16/25/40	DN 50
⑤	Body	A	ANSI cl. 150	DN 50-600
		3HI	Carbon steel, A216WCB, Epoxy primer coated (80 µm)	
		4C0	Stainless steel A351CF8M	
⑥	Shaft	4L	Stainless steel 17-4 PH	DN 50-600
⑦	Disc	4C0	Stainless steel A351CF8M	DN 50-600
⑧	Seat	TG	RPTFE with 25% glass fibre (Tmax 204°C)	DN 50-600
		TM	PTFE modified (Tmax 260°C)	DN 50-600
⑨	Option	FF	Fat free execution	Available with stainless steel body

Mounting the valve at the end of a line on request  
 Pressure and temperature limits of application are dependent of the working conditions

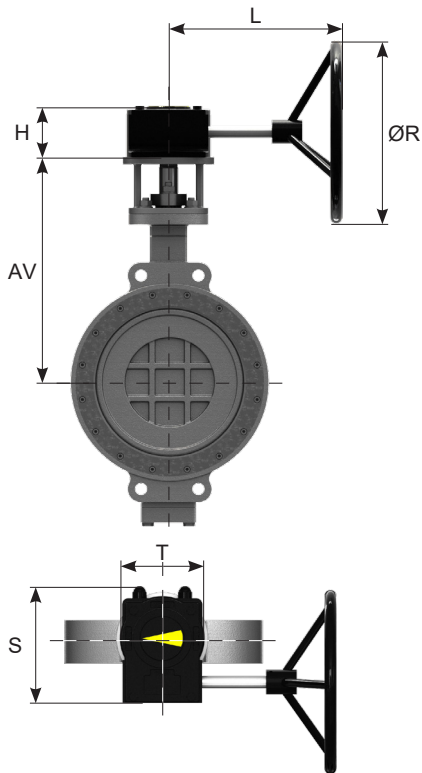
Dimensions



DN	d1	d2	A	B	C	D1	D3	s1	s2	x	E	G	ISO 5211	y	b	EO1	EO3
																[kg]	[kg]
50	38	50	186	60	43	92	152	22	32	6	12	11	F07	4 x 9,5	70	5	6
65	50	64	200	70	46	103	175	24	43	10	16	14	F07	4 x 9,5	70	5,5	6,5
80	63	76	212	75	48	127	190	30	58	16	16	14	F07	4 x 9,5	70	6	7
100	87	102	250	110	54	157	230	55	92	25	16	14	F07	4 x 9,5	70	12	13
125	115	127	280	120	57	186	254	97	113	39	19	17	F10	4 x 12	102	18,5	20
150	140	152	298	130	57	256	280	121	134	49	19	17	F10	4 x 12	102	22	24
200	190	203	327	193	60	270	343	175	186	72	24	22	F12	4 x 13	125	43	48
250	243	254	367	230	71	324	406	230	239	95	24	22	F12	4 x 13	125	63	70
300	292	303	420	272	81	382	486	278	286	114	29	27	F14	4 x 18	140	72	80
350	322	337	445	300	92	415	533	304	316	126	29	27	F14	4 x 18	140	131	143
400	373	387	500	335	105	470	600	355	365	144	38	36	F16	4 x 22	165	160	177
450	420	438	520	355	114	535	635	400	410	163	48	46	F16	4 x 22	165	204	222
500	470	489	595	395	127	585	700	452	465	185	48	46	F25	8 x 22	254	250	277
600	566	591	665	453	154	692	813	546	559	222	110	Ø 70*	F25	8 x 22	254	430	476

## Dimensions

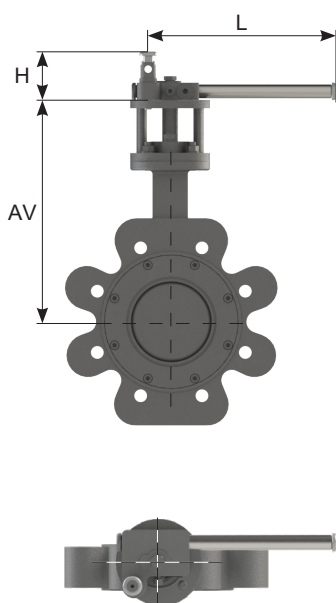
### Gearbox:



DN	GBN	AV	H	L	R	S	T	n**	[kg]*
50	GB150N.F05-F0711.160	186	54,5	133,5	160	124	80	9,6	2
65	GB150N.F05-F0714.160	200	54,5	133,5	160	124	80	9,6	2
80	GB150N.F05-F0714.160	212	54,5	133,5	160	124	80	9,6	2
100	GB150N.F05-F0714.160	250	54,5	133,5	160	124	80	9,6	2
125	GB210N.F05-F07-F1017.160	280	63	193	160	127,5	102	11,6	4
150	GB210N.F05-F07-F1017.160	298	63	193	160	127,5	102	11,6	4
200	GB550N.F1222.250	327	88	240	250	174	138	12	9
250	GB550N.F1222.300	367	88	292	300	174	138	12	9
300	GB550N.F1427.400	420	88	307	400	174	138	12	9
350	GB880N.F1427.500	445	92,5	315	500	226	200	13,2	14
400	GB1250N.F1636.500	500	102	356	500	258	220	13,2	14
450	GB2000N.F1646.500	520	121	358	500	255	214	27	24
500	GB1950N/PR4.F2546.400	595	126	427	400	322,5	285	54	39
600	GB1950N/PR4.F2570.500	665	126	427	500	322,5	285	54	39

[kg]\* weight without butterfly valve  
 \*\*n = Handwheel turns ON/OFF

### Handlever:



DN	Handlever type	AV	H	L	[kg]*
50	HLSE.F0711.185	20	55	185	0,7
65	HLSE.F0714.185	20	55	185	0,7
80	HLSE.F0714.220	20	55	220	0,9
100	HLSE.F0714.220	20	55	220	0,9
125	HLSE.F1017.255	20	60	255	1,3
150	HLSE.F1017.255	20	60	255	1,3

[kg]\* weight without butterfly valve