


Description

High performance double eccentric butterfly valve with PTFE sealing for working pressures up to 50 bar (ANSI Class 300).

With sealing options:

- TG with PTFE+25% glass fibre seat (RPTFE)
- TM with modified PTFE

Product features

- Body construction EO1 Wafer, EO3 Lug
- Face to face dimension according to ISO 5752/20, EN558-1/5, BS 5155/4
- Top flange according to EN ISO 5211
- Rating PN 25/40, ANSI cl. 300
- Tightness Gas tightness according to EN 12266-1/P12 leakage rate A / API 598
- ATEX Execution according to ATEX 2014/34/EU,  II 2 GD c Tx



The butterfly valves ELARA meet the safety requirements of pressure Equipment Directive 2014/68/UE (PED) appendix 1 for fluids of the groups 1 and 2

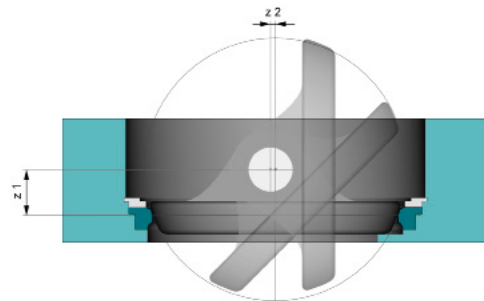


Double eccentric function:

The ELARA is a double eccentric butterfly valve. The double eccentricity results from

- Offset of the disc to the shaft (z 1) and
- Offset of the disc centre to the shaft (z 2).

Consequently, when opening, the disc is immediately disengaged from the seat and thus, the friction and the torque remain very low.



Torque at requested working pressure [Nm]

DN	50	65	80	100	125	150	200	250	300	350	400	450	500	600
25 bar	47	70	73	105	163	306	514	754	1092	2335	4033	4776	5850	9567
40 bar	56	85	86	125	319	374	662	1248	1872	2747	4745	5619	7617	11862
50 bar	65	99	101	147	376	441	779	1469	2204	3232	5582	6611	8961	13956

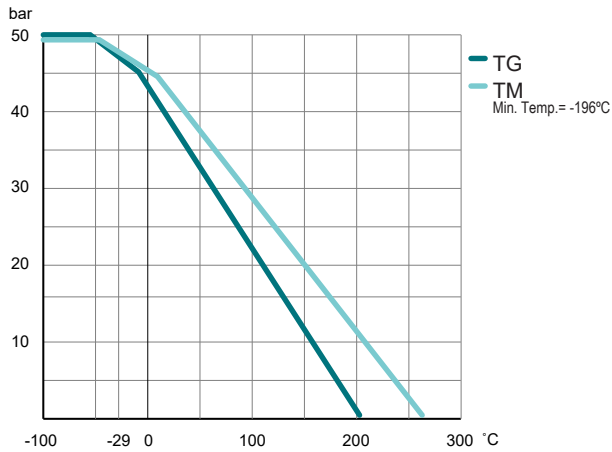
Flow values kv [m³/h]

DN	50	65	80	100	125	150	200	250	300	350	400	450	500	600
Kv	50	78	165	400	650	1050	2200	3300	5100	5800	8000	10500	14000	21600

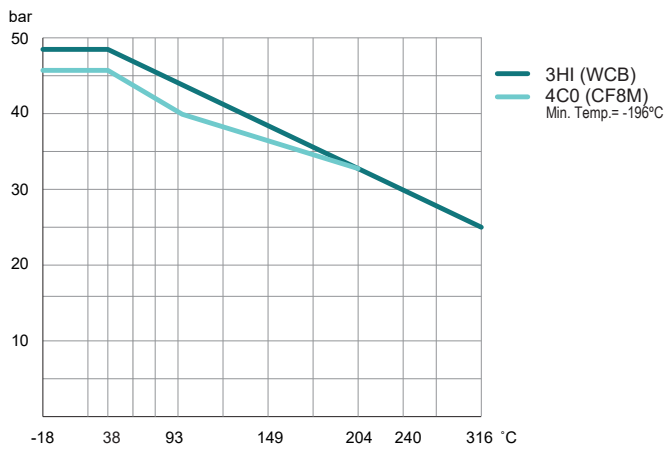


Pressure / Temperature

Seat



Body



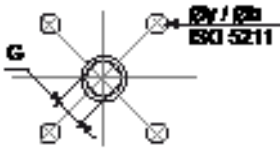
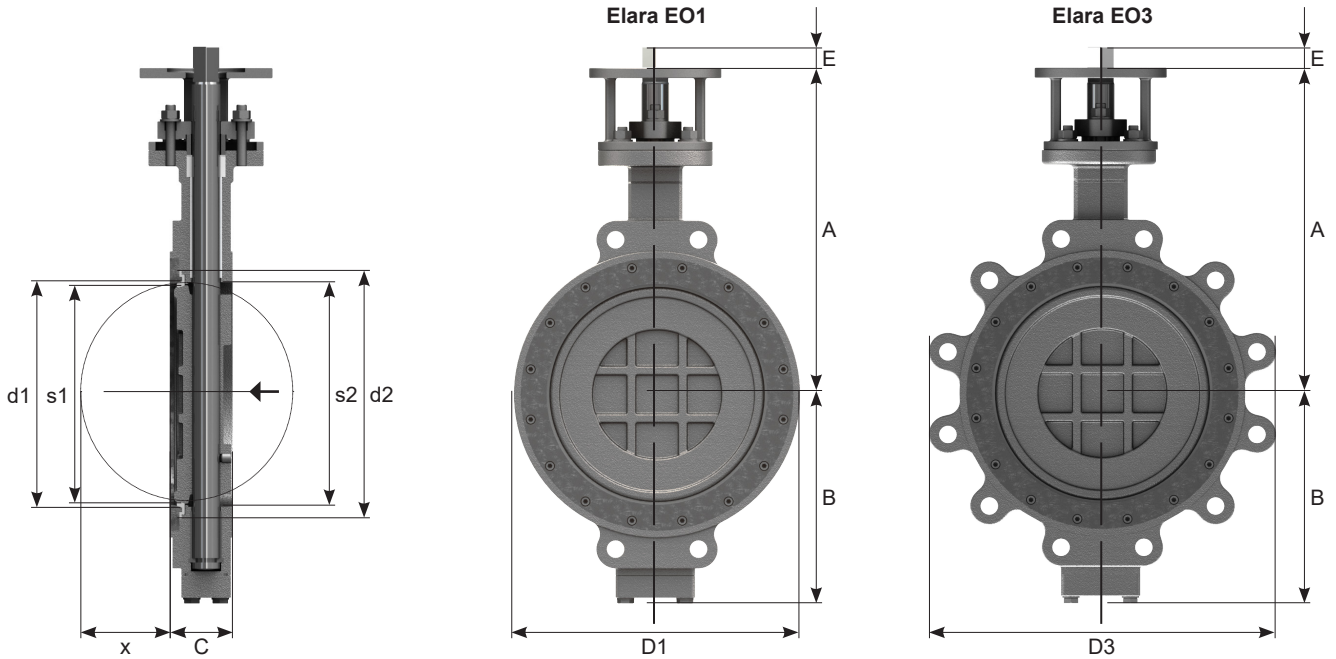
Type code

EO1 0150 . 7 B - 3HI . 4L . 4C0 . TG - FF
 ① ② ③ ④ ⑤ ⑥ ⑦ ⑧ ⑨

①	Body type	EO1	Wafer	DN 50-600
		EO3	Lug	DN 50-600
②	Nominal diameter	050-600	mm	
③	Maximum working pressure	7	50 bar	DN 50-600
④	Flange connection	5	PN 25	DN 200 and 300
		6	PN 25/40	DN 80-100-125
			PN 40	DN 200 and 300
		B	ANSI cl. 300	DN 50-600
⑤	Body	3HI	Carbon steel, A216WCB, Epoxy primer coated (80 µm)	
		4C0	Stainless steel A351CF8M	
⑥	Shaft	4L	Stainless steel 17-4 PH	DN 50-600
⑦	Disc	4C0	Stainless steel A351CF8M	DN 50-600
⑧	Seat	TG	RPTFE with 25% glass fibre (Tmax 204°C)	DN 50-600
		TM	PTFE modified (Tmax 260°C)	DN 50-600
⑨	Option	FF	Fat free execution	Available with stainless steel body

Mounting the valve at the end of a line on request
 Pressure and temperature limits of application are dependent of the working condition

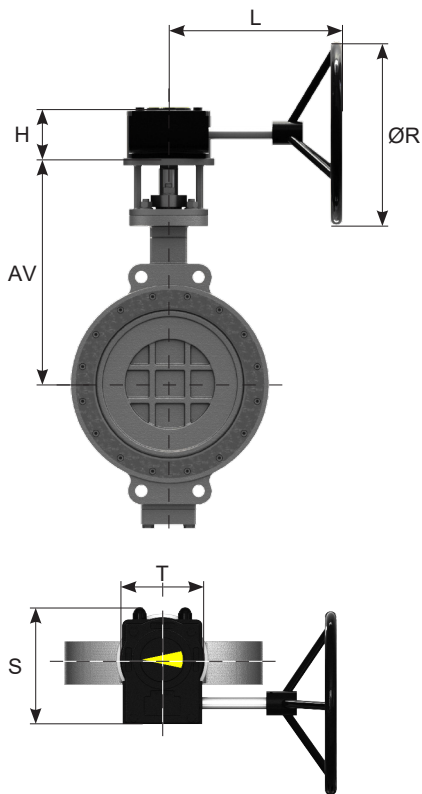
Dimensions



DN	d1	d2	A	B	C	ANSI		D3	s1	s2	x	E	G	ISO 5211	y	b	EO1		EO3	
						cl. 300	PN 25/40										[kg]	[kg]		
50	38	50	195	76	43	112	92	160	22	32	6	12	11	F07	4 x 9,5	70	6	7		
65	50	64	210	90	46	125	125	190	24	43	10	16	14	F07	4 x 9,5	70	7	8		
80	63	76	230	100	48	142	127	210	30	58	16	16	14	F07	4 x 9,5	70	11	13		
100	87	102	257	118	54	157	157	248	60	80	25	16	14	F07	4 x 9,5	70	21	23		
125	115	127	296	131	59	186	186	280	97	110	37	19	17	F10	4 x 12	102	33	36		
150	140	152	320	155	59	216	256	318	124	137	50	24	17	F10	4 x 12	102	40	44		
200	190	203	352	220	73	270	270	381	178	185	65	24	22	F12	4 x 13	125	60	66		
250	244	254	403	257	83	324	324	444	229	233	84	29	27	F12	4 x 13	125	95	105		
300	292	303	440	292	92	380	382	513	278	283	106	38	27	F14	4 x 18	140	105	116		
350	306	322	496	330	117	413	415	577	302	307	108	48	36	F14	4 x 18	140	105	116		
400	374	387	527	360	133	470	470	640	352	349	119	48	36	F16	4 x 22	165	240	266		
450	420	438	595	390	149	535	535	700	400	394	134	110	46	F16	4 x 22	165	271	291		
500	470	489	630	428	159	585	585	765	447	447	158	48	46	F25	8 x 18	254	330	365		
600	566	591	755	560	181	692	962	900	535	548	205	100	Ø 90*	F30	8 x 22	298	560	620		

Dimensions

Gearbox:



WP = 25 bar

DN	GBN	AV	H	L	R	S	T	n**	[kg]*
50	GN150N.F05-F0711.160	195	54,5	133,5	160	124	80	9,6	2
65	GB150N.F05-F0714.160	210	54,5	133,5	160	124	80	9,6	2
80	GB150.F05.F0714.160	230	54,5	133,5	160	124	80	9,6	2
100	GB150N.F05-F0714.160	257	54,5	133,5	160	124	80	9,6	2
125	GB210N.F05-F07-F1017.160	296	63	193	160	127,5	102	11,6	4
150	GB210N.F05-F07-F1017.160	320	63	193	160	127,5	102	11,6	4
200	GB550N.F1222.250	352	88	240	250	174	138	12	9
250	GB550N.F1227.400	403	88	307	400	174	138	12	9
300	GB880N.F1427.500	440	92,5	315	500	226	200	13,2	14
350	GB1250N.F1436.700	496	102	356	700	258	220	13,75	22
400	GB2000N.F1636.700	527	121	358	700	255	214	27	24
450	GB1950N/PR4.F1646.400	595	126	407	400	322,5	285	54	39
500	GB1950N/PR4.F2546.500	630	126	427	500	322,5	285	54	39
600	GB3000NLB/PR6.F3090.500	755	155	440	500	372	351	61	62

WP = 40 bar

DN	GBN	AV	H	L	R	S	T	n**	[kg]*
50	GB150N.F05-F0711.160	195	54,5	133,5	160	124	80	9,6	2
65	GB150N.F05-F0714.160	210	54,5	133,5	160	124	80	9,6	2
80	GB150N.F05-F0714.160	230	54,5	133,5	160	124	80	9,6	2
100	GB150N.F05-F0714.160	257	54,5	133,5	160	124	80	9,6	2
125	GB210N.F05-F07-F1017.160	296	63	193	160	127,5	102	11,6	4
150	GB215N.F05-F07-F1017.250	320	63	208	250	127,5	102	11,6	4
200	GB550N.F1222.300	352	88	292	300	174	138	12	9
250	GB880N.F1227.500	403	92,5	315	500	226	200	13,2	14
300	GB1250N.F1427.500	440	102	356	500	258	220	13,75	22
350	GB1250N.F1436.800	496	102	356	800	258	220	13,75	22
400	GB1950N/PR4.F1636.400	527	126	407	400	322,5	285	54	39
450	GB1950N/PR4.F1646.500	595	126	427	500	322,5	285	54	39
500	GB3000N/PR4.F2546.500	630	153	440	500	337	293	61	51
600	GB6800N/PR4.F3090.700	755	159	480	700	407	370	81	63

WP = 50 bar

DN	GBN	AV	H	L	R	S	T	n**	[kg]*
50	GB150N.F05-F0711.160	195	54,5	133,5	160	124	80	9,6	2
65	GB150N.F05-F0714.160	210	54,5	133,5	160	124	80	9,6	2
80	GB150N.F05-F0714.160	230	54,5	133,5	160	124	80	9,6	2
100	GB150N.F05-F0714.160	257	54,5	133,5	160	124	80	9,6	2
125	GB215N.F05-F07-F1017.250	296	63	208	250	127,5	102	11,6	4
150	GB215N.F05-F07-F1017.250	320	63	208	250	127,5	102	11,6	4
200	GB550N.F1222.400	352	88	307	400	174	138	12	9
250	GB880N.F1227.600	403	92,5	315	600	226	200	13,2	14
300	GB1250N.F1427.600	440	102	356	600	258	220	13,75	22
350	GB2000N.F1436.500	496	121	358	500	255	214	27	24
400	GB1950N/PR4.F1636.500	527	126	427	500	322,5	285	54	39
450	GB1950N/PR4.F1646.600	595	126	427	600	322,5	285	54	39
500	GB3000N/PR4.F2546.600	630	153	440	600	337	293	61	51
600	GB6800N/PR6.F3090.500	755	159	480	500	407	370	117	64

[kg]* weight without butterfly valve

**n = Handwheel turns ON/OFF

The technical data are noncommittal and do not assure you of any properties. Please refer to our general sales conditions. Modifications without notice.

© 2021 InterApp AG, all rights reserved