

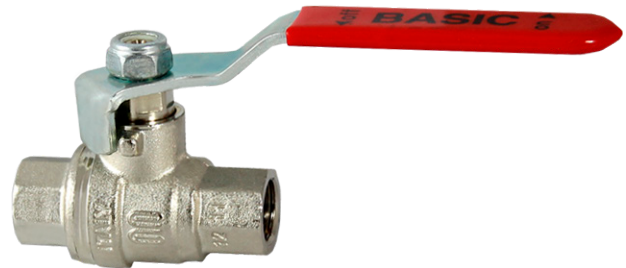
S211 – Ball valve, brass DN 1/4"-4"

Description

Full bore ball valve brass nickel plated, threaded female and steel handlever for Water treatment, HVAC and Swimming Pools, District Cooling/Heating and Irrigation. No maintenance needed.

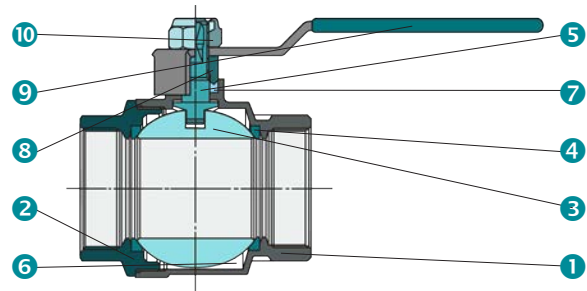
Product features

- Construction 2-piece body
- Size G $\frac{1}{4}$ " - 4", DN 8-100 with full bore
- Connections Threaded ends UNI ISO 228/1
- Tightness Bi-directional
- Working pressure (max.) 80 bar
- Temperature range -20°C to 140°C

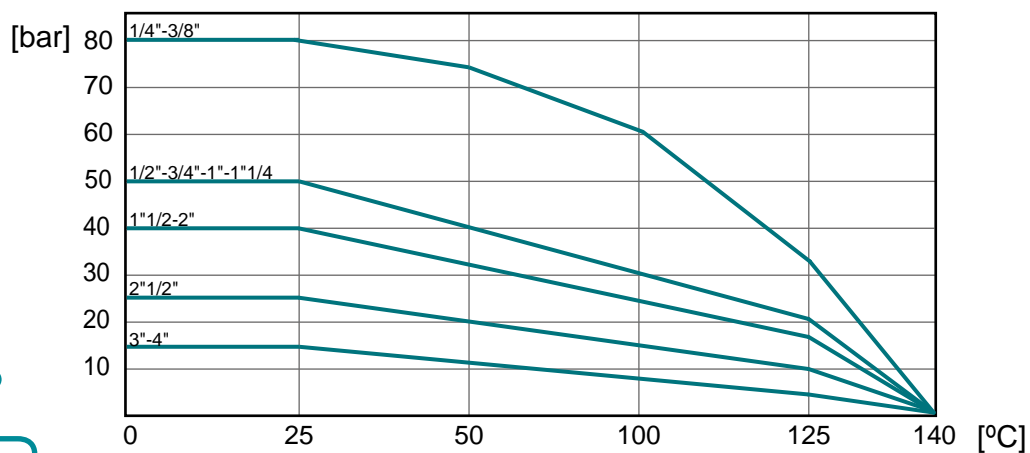


Construction

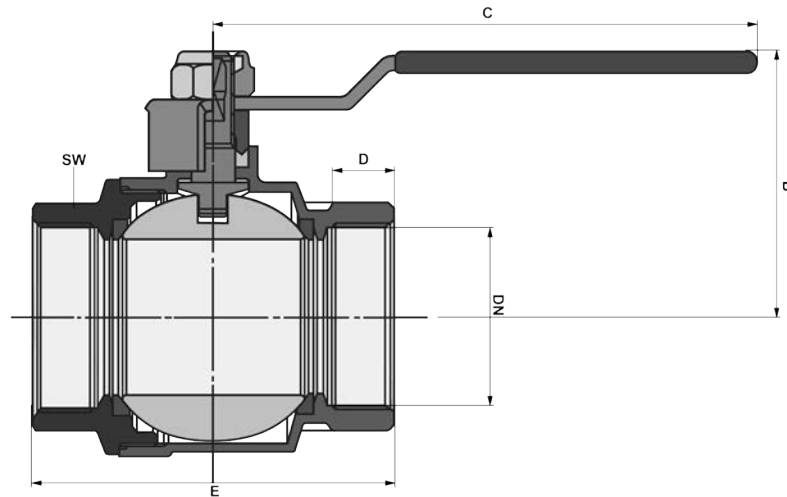
1	Body	Brass, nickel plated
2	End adapter	Brass, nickel plated
3	Ball	Brass, chrome plated
4	Ball gaskets	PTFE
5	Stem	Brass
6	Thrust washer	PTFE
7	Stem packing	PTFE
8	Gland	Brass
9	Handle	Steel zinc plated, PVC coated
10	Self-locking nut	Zinc plated



Pressure / temperature diagram



Dimensions



DN	Size	B	C	D	E	SW	[kg]
10	¼	38	90	11	47,5	17	0,13
10	⅜	38	90	11,4	49,5	21	0,14
15	½	39,5	90	9,5	49	25	0,19
20	¾	47,5	105	11	59	31	0,30
25	1	51,5	105	12,5	70	38	0,43
32	1 ¼	62	120	13,5	81	47	0,70
40	1 ½	71	140	15,5	94	54	1,13
50	2	85,5	170	17,5	112	66	1,72
65	2 ½	98,5	170	19,5	134	83	3,09
80	3	112,5	250	21	156	97	5,33
100	4	135	250	24,3	189	124	8,98

InterApp AG
 Grundstrasse 24
 CH-6343 Rotkreuz
 Phone +41 (0) 41 7982233
 Fax +41 (0) 41 7982234
 info@ch.interapp.net

InterApp Ges.m.b.H.
 Kolpingstrasse 19
 A-1230 Wien
 Phone +43 (0) 1 6162371-0
 Fax +43 (0) 1 6162371-99
 info@at.interapp.net

InterApp Italiana
 Via Gramsci 29
 I-20016 Pero (MI)
 Phone +39 02 339371
 Fax +39 02 33937200
 info@it.interapp.net

InterApp GmbH
 Schillerstrasse 50
 D-42489 Wülfrath
 Phone +49(2058) 8909250
 Fax +49(2058) 8909255
 info@de.interapp.net

AVK Válvulas S.A.
InterApp Válvulas S.A.
 Poligono Industrial Francoli, parcela 27
 E-46006 Tarragona
 Phone +34 977 543 008
 Fax +34 977 541 622
 avk@avkvalvulas.com

The technical data are noncommittal and do not assure you of any properties. Please refer to our general sales conditions. Modifications without notice.

© 2017 InterApp AG, all rights reserved