

S221 - Ball valve, brass DN 1/4"-1"

Description

Ball valve brass nickel plated, threaded female and butterfly handle for Water treatment, HVAC and Swimming Pools, District Cooling/Heating and Irrigation

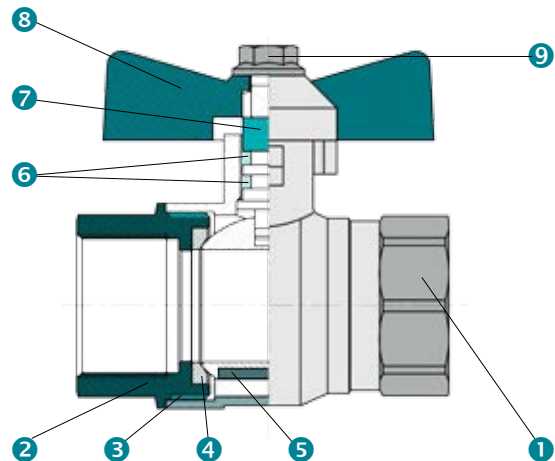
Product features

- Construction 2-piece body
- Size G $\frac{1}{4}$ " - 1", DN 8-25 with full bore
- Connections Threaded
- Tightness Bi-directional
- Working pressure (max.) 40 bar
- Stem Brass
- Ball Brass chrome plated

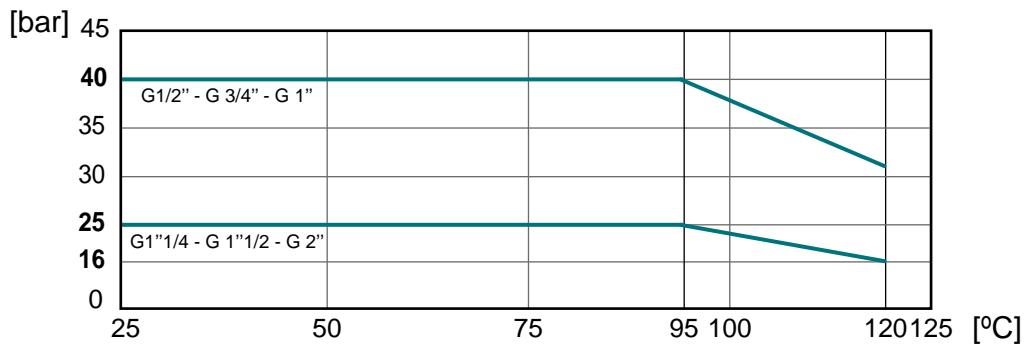


Construction

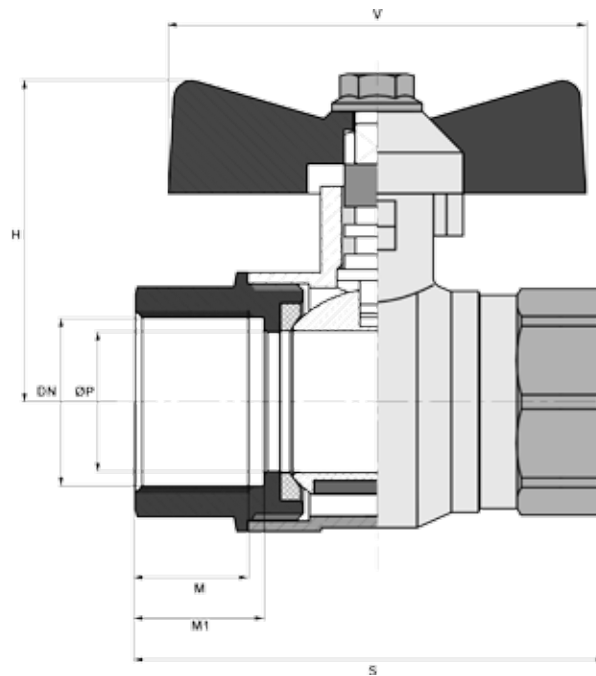
1	Body	Brass, nickel plated
2	Coupling sleeve	Brass, nickel plated
3	Sealing material	Loctite®
4	Ball seals	PTFE
5	Ball	Brass chrome plated
6	O-Ring	NBR
7	Stem	Brass
8	Butterfly handle	Aluminium coated
9	Hex nut M6-M8	Steel zinc plated



Pressure / temperature diagram



Dimensions



G"	DN	ØP	S	H	V	M	[kg]
¼	10	10	45	35	57	12	0,12
⅜	10	10	45	35	57	12	0,11
½	15	15	60,5	41	57	17	0,18
¾	20	20	68,9	44	57	18,3	0,27
1	25	25	80,4	59	65	20,5	0,48

InterApp AG
 Grundstrasse 24
 CH-6343 Rotkreuz
 Phone +41 (0) 41 7982233
 Fax +41 (0) 41 7982234
 info@ch.interapp.net

InterApp Ges.m.b.H.
 Kolpingstrasse 19
 A-1230 Wien
 Phone +43 (0) 1 6162371-0
 Fax +43 (0) 1 6162371-99
 info@at.interapp.net

InterApp Italiana
 Via Gramsci 29
 I-20016 Pero (MI)
 Phone +39 02 339371
 Fax +39 02 33937200
 info@it.interapp.net

InterApp GmbH
 Schillerstrasse 50
 D-42489 Wülfrath
 Phone +49(2058) 8909250
 Fax +49(2058) 8909255
 info@de.interapp.net

AVK Válvulas S.A.
 InterApp Válvulas S.A.
 Poligono Industrial Francoli, parcela 27
 E-46006 Tarragona
 Phone +34 977 543 008
 Fax +34 977 541 622
 avk@avkvalvulas.com