

S194, S195, S454 - Ball valve, brass nickel plated, with hand lever

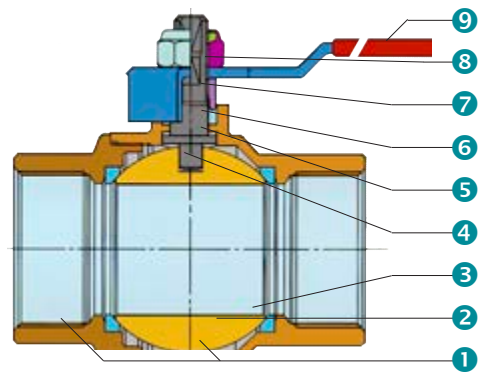
Product features

- Construction 2-piece body
- Size G $\frac{1}{4}$ " - 4" (DN10-100), with full bore
- Connections according to ISO 7/1 RP (DIN 2999)
 - S194 female/female (G $\frac{1}{4}$ " - 4")
 - S195 male/female (G $\frac{1}{4}$ " - 2")
 - S454 female/female (G $\frac{1}{4}$ " - 4") with neck extension
- Stem blow out proof with 2 seals

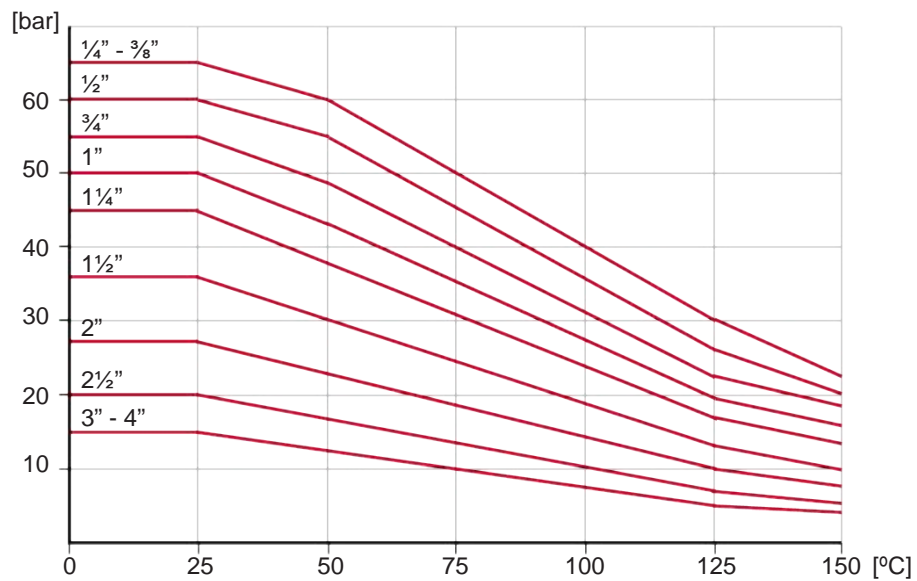


Construction

1	Body	Brass, nickel plated
2	Ball	Brass, nickel plated
3	Ball seat	PTFE
4	Stem	Brass, nickel plated
5	Thrust washer	PTFE
6	Stem packing	PTFE
7	Gland	Brass
8	Self locking nut	Zinc plated steel
9	Lever	Alu, PU coated



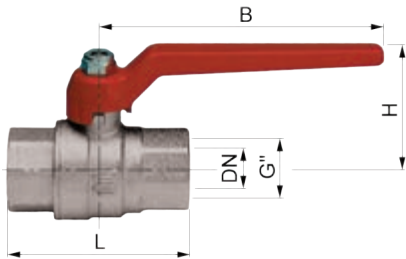
Pressure / temperature diagram



S194, S195, S454 - Ball valve, brass nickel plated, with hand lever

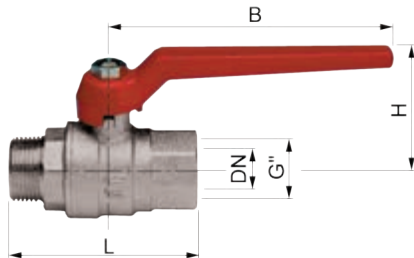
Dimensions

S194



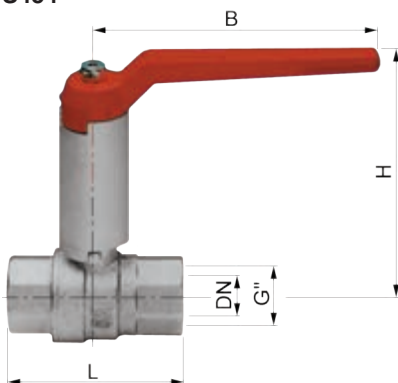
	G"	DN	L	H	B	kv[m ³ /h]	[kg]
S194 014	¼	10	47,5	39,5	80	5,9	0,12
S194 038	⅜	10	49,5	39,5	80	9,4	0,14
S194 012	½	15	65,0	41,5	95	17	0,25
S194 034	¾	20	73,5	51,0	115	41	0,38
S194 100	1	25	86,5	55,0	115	70	0,61
S194 114	1 ¼	32	101,5	64,5	130	121	1,01
S194 112	1 ½	40	111,5	75,5	150	200	1,58
S194 200	2	50	132,5	87,5	170	292	2,68
S194 212	2 ½	65	158,0	108,0	170	535	3,73
S194 300	3	80	182,5	119,5	235	850	5,77
S194 400	4	100	219,0	142,0	235	1360	10,83

S195



	G"	DN	L	H	B	kv[m ³ /h]	[kg]
S195 014	¼	10	54,0	39,5	80	5,9	0,14
S195 038	⅜	10	56,3	39,5	80	9,4	0,15
S195 012	½	15	69,0	41,5	95	17	0,25
S195 034	¾	20	78,7	51,0	115	41	0,40
S195 100	1	25	90,5	55,0	115	70	0,62
S195 114	1 ¼	32	105,0	64,5	130	121	1,04
S195 112	1 ½	40	116,0	75,5	150	200	1,63
S195 200	2	50	138,5	87,5	170	292	2,71

S454



	G"	DN	L	H	B	kv[m ³ /h]	[kg]
S454 014	¼	10	47,5	96,5	80	5,9	0,20
S454 038	⅜	10	49,5	96,5	80	9,4	0,22
S454 012	½	15	65,0	98,5	95	17	0,33
S454 034	¾	20	73,5	109,5	115	41	0,48
S454 100	1	25	86,5	113,5	115	70	0,71
S454 114	1 ¼	32	101,5	123,0	130	121	1,16
S454 112	1 ½	40	111,5	133,0	150	200	1,75
S454 200	2	50	132,5	145,0	170	292	2,93
S454 212	2 ½	65	158,0	164,5	170	535	4,46
S454 300	3	80	182,5	176,0	235	850	6,50
S454 400	4	100	219,0	197,5	235	1360	11,56