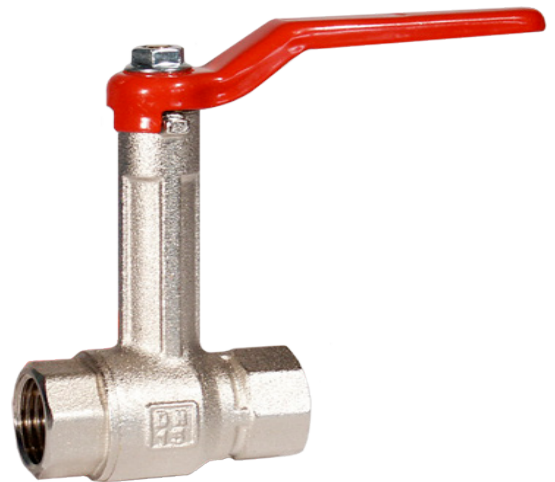


S3150 - Ball valve, brass nickel plated, with hand lever

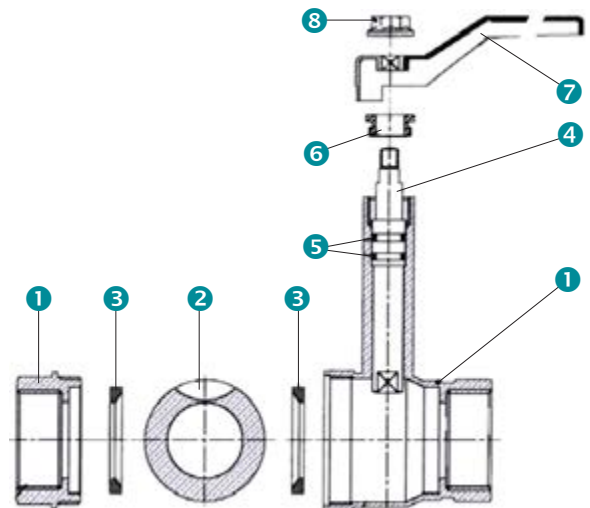
Product features

- Construction 2-piece body
 - Size ½" - 2" with full bore
 - Connections female G ½" - 2"
 - Stem blow out proof with 2 HNBR seals
- Suitable for thermal insulated plants, heating and conditioning

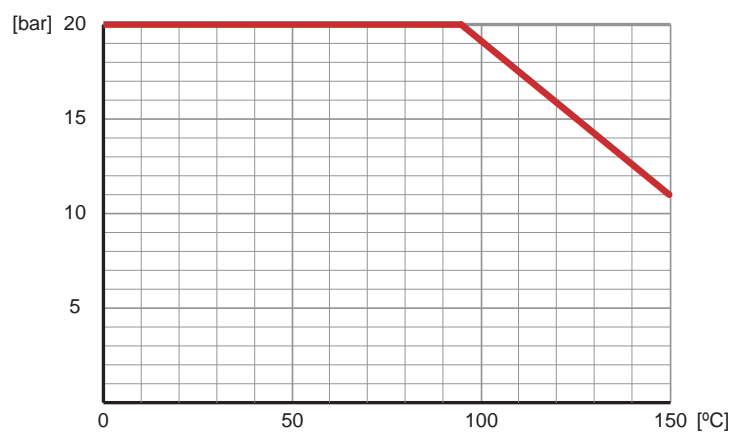


Construction

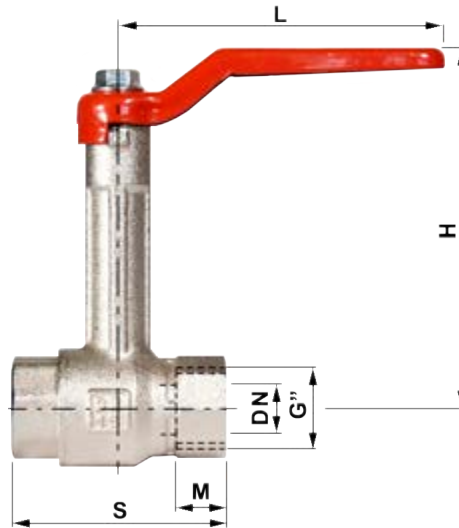
1	Body	Brass, nickel plated
2	Ball	Brass, chrome plated
3	Ball seat	PTFE
4	Stem	Brass, nickel plated
5	O-ring	HNBR
6	Gland	Brass
7	Lever	Painted steel
8	Nut	Zinc plated steel



Pressure / temperature diagram



Dimensions



	G"	DN	S	H	L	M	[kg]
S3150 012	½	15	54	90	82	13	0,26
S3150 034	¾	20	59	93	82	13	0,34
S3150 100	1	25	69	102	93	15	0,48
S3150 114	1 ¼	32	83	116	117	18	0,78
S3150 112	1 ½	40	92	122	117	18	0,99
S3150 200	2	50	110	137	145	20	1,65